

# HE-6800 Series Humidity Transmitters with Temperature Sensor

## Installation Instructions

HE-68xx-xN00WS

Part No. 24-10409-28, Rev. B

Issued April 12, 2011

Supersedes October 1, 2010

Refer to the [QuickLIT Web site](#) for the most up-to-date version of this document.

### Applications

The HE-6800 Series Humidity Transmitters with Temperature Sensor provide both humidity and temperature sensing in room wall-mount applications. The transmitter offers local warmer/cooler temperature setpoint adjustment and temporary occupancy override. The humidity sensor provides Relative Humidity (RH) accuracy of  $\pm 2\%$  or  $\pm 3\%$  RH and measures RH over the entire range of 0 to 100%.

A warmer/cooler dial is included on certain models for minor temperature adjustments from the setpoint. All models feature an occupancy override button that allows the user to override time-of-day scheduling when the space is occupied outside of the normal occupied hours schedule. The transmitter also includes DIP switches to enable or disable override and Light-Emitting Diode (LED) functions. In addition, all models feature a user-selectable 0 to 5 VDC or 0 to 10 VDC humidity output switch, and a power supply selection switch.

The HE-6800 Series Humidity Transmitters include screw terminal block terminations that provide flexibility for field wiring. All models include a 6-pin modular jack access port for connecting accessories to the Zone Bus. This feature allows a technician to commission or service the controller via the transmitter.

**IMPORTANT:** Use the HE-6800 Series Humidity Transmitter only to provide input to equipment under normal operating conditions. Where failure or malfunction of the transmitter could lead to personal injury or property damage to the controlled equipment or other property, additional precautions must be designed into the control system. Incorporate and maintain other devices, such as supervisory or alarm systems or safety or limit controls, intended to warn of or protect against failure or malfunction of the transmitter.

### Installation

#### Special Tools Needed

A 1/16 in. (1.5 mm) Allen wrench or a Johnson Controls® T-4000-119 Allen-Head Adjustment Tool is required during installation.

#### Accessories

Installing the HE-6800 Series Humidity Transmitter on a wallbox requires accessory NS-WALLPLATE-0, ordered separately.

### Mounting

#### Location Considerations

Locate the HE-6800 Series Humidity Transmitter:

- on a partitioning interior wall, and approximately 5 ft (1.5 m) above the floor in a location of average temperature
- away from direct sunlight, radiant heat, outside walls, behind doors, air discharge grills, stairwells, or outside doors
- away from steam or water pipes, warm air stacks, unconditioned areas (no heating and no cooling), or sources of electrical interference

**Note:** The HE-6800 Series Humidity Transmitter is shock and vibration resistant; however, be careful not to drop the unit or mount it where it could be exposed to excessive vibration.

The following ambient operating conditions apply:

- Temperature: 32 to 131°F (0 to 55°C)
- Humidity: 10 to 95% RH, noncondensing; 86°F (30°C) maximum dew point

To mount the transmitter to the wall:

1. Use a 1/16 in. (1.5 mm) Allen wrench or Johnson Controls T-4000-119 Allen-Head Adjustment Tool to loosen the security screw on the top of the unit.

2. Insert a blade screwdriver into the slot next to the security screw location, and then carefully pry the top edge of the transmitter assembly away from its mounting base and remove.

**IMPORTANT:** Do not remove the Printed Circuit Board (PCB). Removing the PCB voids the product warranty.

3. Pull out approximately 6 in. (152 mm) of cable from the wall, and insert the cable through the hole in the mounting base.
4. Align the mounting base on the wall, and use the base as a template to mark the location of the two mounting holes on the surface.

**Note:** Make sure the mounting base is positioned correctly with the security screw located on the top edge of the base.

5. Secure the mounting base to the wall using the appropriate mounting hardware (field furnished).
6. Set DIP switches for the desired operation. See the [Internal Wiring Diagrams](#) and [Setup and Adjustments](#) sections for additional information.
7. Align the tabs on the bottom edge of the mounting base with the slots on the bottom edge of the transmitter assembly, and rotate the assembly onto its mounting base.

**Note:** Make sure the terminal block pins align with the holes in the terminal block.

8. Use a 1/16 in. (1.5 mm) Allen wrench or Johnson Controls T-4000-119 Allen-Head Adjustment Tool to tighten the security screw and fasten the network transmitter assembly to the mounting base.

## Wiring



**CAUTION: Risk of Property Damage.**

Do not apply power to the system before checking all wiring connections. Short circuited or improperly connected wires may result in permanent damage to the equipment.

**IMPORTANT:** Use copper conductors only. Make all wiring connections in accordance with local, national, and regional regulations.

Keep wires as short as possible to minimize sensor error. Each 250 ft (76 m) run of 18 AWG wire or 50 ft (15 m) of 24 AWG wire creates 1F° (0.56C°) error for a nickel sensor or 1.5F° (0.83C°) error for a platinum sensor due to wire resistance.

To maintain less than 1F° (0.56C°) error for nickel or 1.5F° (0.83C°) error for platinum, hold the total resistance of all sensor wiring below 3 ohm. When wiring the HE-6800, do not run low voltage wiring in the same conduit as line voltage wiring or other conductors supplying highly inductive loads.

### Internal Wiring Diagrams

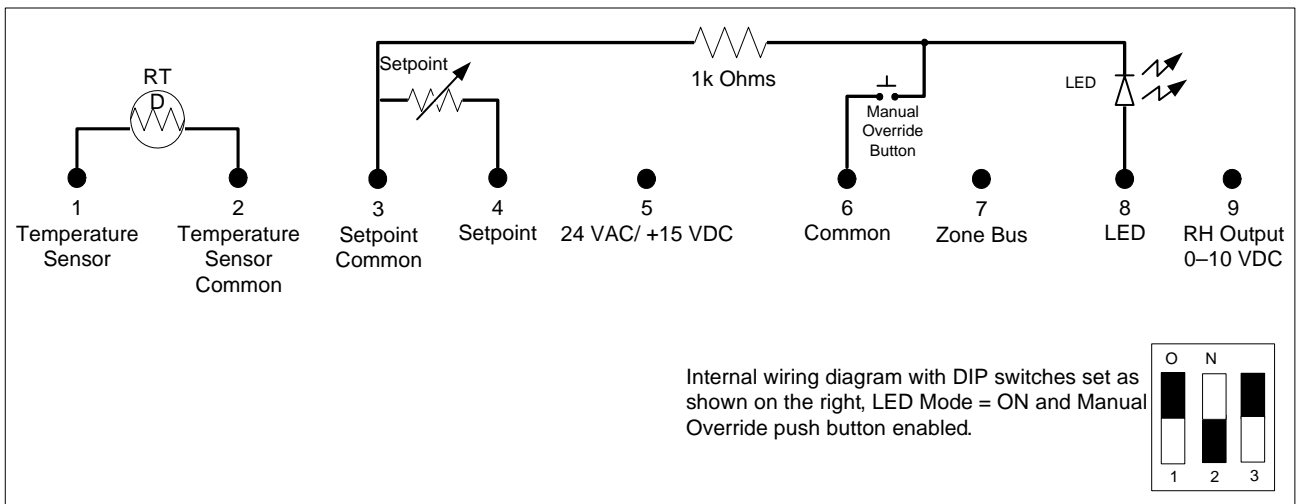
Internal wiring diagrams are shown in Figure 1 and Figure 2. Terminal block designations are shown in Figure 3. The terminals are identified in Table 1. See the [Setup and Adjustments](#) section and Figure 4 for an explanation of the LED and Pushbutton (PB) modes. Make connections pairing the following wires:

- sensor (Terminal 1 and Terminal 2)
- setpoint (Terminal 3 and Terminal 4)
- Zone Bus and Common (COM) (Terminals 6 and 7)

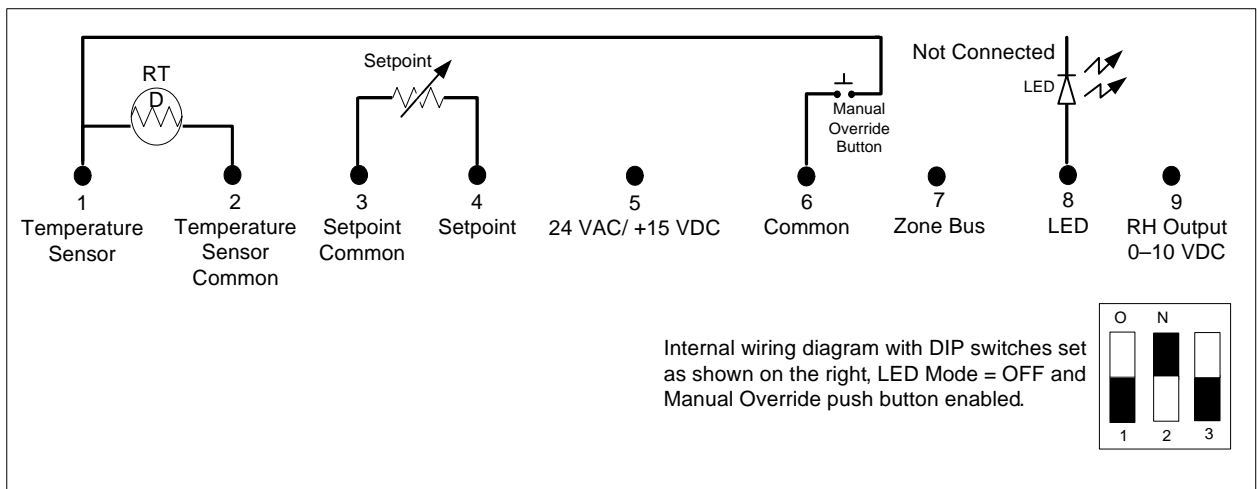
Shielding is not required. If used, follow the system controller's recommendations for grounding the shield.

**Note:** The Manual Override PB does not respond when the DIP switch positions are all down (LED mode NO PB, as shown in Figure 2 and Figure 4).

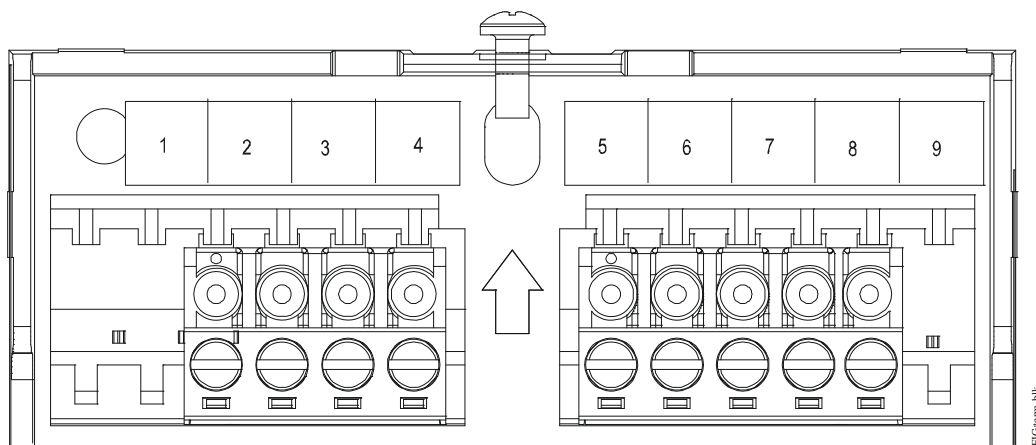
Manual Override is selected for either Terminals 1 and 6 to short sensor (with DIP switch set for LED Off) or Terminal 6 and Terminal 8 to short LED (with DIP switch set for LED On).



**Figure 1: Terminal Block Wiring Designations (LED ON Mode [Factory Default] and Manual Override PB Enabled)**



**Figure 2: Terminal Block Wiring Designations (LED OFF Mode and Manual Override PB Enabled)**




**Figure 3: Terminal Block Location and Wiring**

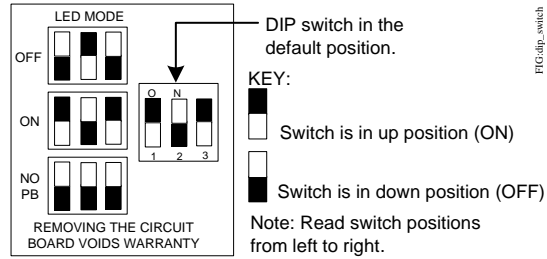
**Table 1: Terminal Block Wiring**

Terminal	Signal Designation
1	Temperature Sensor and Manual Override
2	Temperature Sensor Common
3	Setpoint Common and LED Common
4	Setpoint
5	24 VAC (+15 VDC – VMA Only <sup>1</sup> )
6	Common (for Power, RH Output, Zone Bus, or Manual Override)
7	Zone Bus
8	LED and Manual Override
9	RH Output (0 to 10 VDC)

1. The +15 VDC power supply is used only when an HE-6800 Series Humidity Transmitter is connected to a VMA Controller.



**CAUTION: Risk of Property Damage.**  
Do not use switch settings other than those shown in Figure 4. Using other switch settings may cause incorrect controller operation or damage to the element, controller, and controlled equipment.



**Figure 4: Controller Configuration DIP Switch Positions**

## Setup and Adjustments

### Controller Configuration DIP Switch and LED Mode

A DIP switch configures the HE-6800 for use with the desired controller by enabling or disabling the manual override PB and the LED. To change the controller mode, use the three position DIP switch located on the PCB. See Figure 4 and consult Table 2 to determine the controller compatibility.

For all transmitter models, the factory default LED mode is **LED Mode:ON**. The DIP switch positions enable/disable the functions listed in Table 3.

**Table 2: Controller Compatibility with LED Mode and PB**

Types of HE-6800	LED Mode (Figure 4)	Features Enabled on HE-6800	Features Recognized by Controller				
			AHU	UNT1100	VAV1xx or UNT1xx	VMA12 Series <sup>1</sup>	VMA14 Series <sup>1</sup>
All Models	LED Off <sup>2</sup>	Sensor and Manual Override	No	Yes	Yes	Yes	Yes
	LED On	Sensor, Manual Override, and LED	No	No	No	Yes	Yes
	No PB	Room Sensor Only	Yes	Yes	Yes	Yes	Yes

1. For these controllers, the LED appears brighter when pressing the manual override PB.
2. Holding the manual override PB for more than 2 seconds may affect the sensor reading.

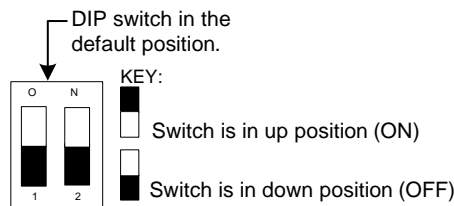
**Table 3: LED Mode and Functions**

LED Mode	Functions		Switch Positions
	Enabled	Disabled	
<b>OFF</b>	Sensor, PB	LED	Switch positions are down, up, and down. The LED remains off at all times.
<b>ON</b>	LED, Sensor, PB	---	Switch positions are factory set up, down, and up. The controller determines the LED mode.
<b>NO PB</b>	Sensor	LED and PB	Switch positions are all down. LED is off, and the PB does not function.

**Humidity Output and Power Supply Selection Switch**

A 0 to 10 VDC or 0 to 5 VDC selector DIP switch enables you to change the output for % RH. The default factory setting is OFF (0 to 10 VDC output).

The HE-6800 also features a power supply selection DIP switch. If you are using the transmitter where supply voltage is 24 VAC or higher, set this switch to ON.



**Switch 1**  
 OFF = 0–10 VDC output, corresponding to 0–100%RH  
 ON = 0–5 VDC output, corresponding to 0–100%RH

**Switch 2**  
 OFF = Low supply voltage operation  
 ON = High supply voltage operation

**Figure 5: Humidity Output and Power Supply DIP Switch Positions**

**Temperature Setpoint**

Adjust the setpoint using the setpoint adjustment dial. Rotate clockwise to raise the temperature; rotate counterclockwise to lower the temperature.

**Troubleshooting**

HE-6800 Series Humidity Transmitters are recommended for use only with Johnson Controls digital controllers. If the HE-6800 is not functioning properly, use the following procedure to identify the problem and determine a solution:

1. Check that the HE-6800 is mounted in a location indicative of the space temperature (for example, away from drafts or sunlight).

2. Verify that the wiring is correct.
3. Check all supply voltage connections. See Figure 1, Figure 2, or Figure 3, if necessary.
4. Check the settings:
  - Verify that any scaling modifications, setpoint adjustments, and overrides have been saved and downloaded to the controller.
  - Check the override status (Temporary Occupancy mode vs. Unoccupied mode) at the controller.
  - Check the setpoint settings.
5. Confirm DIP switch positions if:
  - the LED remains on or is dim
  - the room sensor reading is outside of the normal range for the space being sensed

**Note:** Make sure the DIP switch setting is correct for the controller used with the HE-6800.

6. Replace the HE-6800 if the troubleshooting suggestions fail to remedy the problem.

**Accessories**

Contact the nearest Johnson Controls representative to order any of the parts listed in Table 4.

**Note:** Review the technical specifications of the accessories prior to their use in an application.

**Repair Information**

Do not field repair the HE-6800 Series Humidity Transmitters. As with any electrical device, keep the air vents clean and free from dust or obstruction. If an HE-6800 Series Humidity Transmitter fails to operate within its specifications, replace the unit. For a replacement transmitter, contact the nearest Johnson Controls representative.

**Table 4: Optional Accessories**

Product Code Number	Description
ACC-INSL-0 <sup>1</sup>	Wallbox Mounting Pad (10 per Bag)
ACC-INSL-1 <sup>1</sup>	Surface Mounting Pad (10 per Bag)
NS-WALLPLATE-0	Adapts an HE-6800 Series Humidity Transmitter (3-3/16 x 3-3/16 in. [80 x 80 mm]) to a Standard 3-3/16 x 4-3/4 in. (80 x 120 mm) Wallbox
T-4000-119	Allen-Head Adjustment Tool (30 per Bag)

1. These foam pads help prevent drafts from entering the unit through the wall, and make installation easier when mounting on an uneven surface.

## Technical Specifications

### *HE-6800 Series Humidity Transmitters with Temperature Sensor (Part 1 of 2)*

<b>Power Requirements</b>		4.5 to 7.5 mA at 14 to 30 VDC and 5K ohm Load, or 18 to 25 mA at 20 to 30 VAC and 5K ohm Load		
<b>Terminations</b>		9-Position Screw Clamp Terminal Block		
<b>Wire Size</b>		16 to 24 AWG (1.3 to 0.6 mm Diameter); 18 AWG (1.0 mm Diameter) Recommended		
<b>Temperature Measurement Range</b>		32 to 131°F (0 to 55°C)		
<b>Humidity Measurement Range</b>	<b>Full Range</b>	0 to 100% RH		
	<b>Calibrated Range</b>	10 to 90% RH		
<b>Temperature Sensor</b>	<b>Nickel (HE-68Nx Models)</b>	<b>Sensor Type</b>	1,000 ohm Thin Film Nickel	
		<b>Coefficient</b>	Approximately 3 ohm per F° (5.4 ohm per C°)	
		<b>Reference Resistance</b>	1,000 ohm at 70°F (0°C)	
		<b>Accuracy</b>	±0.34F° at 70°F (±0.18C° at 21°C)	
	<b>Platinum (HE-68Px Models)</b>	<b>Sensor Type</b>	1,000 ohm Thin Film Platinum	
		<b>Coefficient</b>	Approximately 2 ohm per F° (3.9 ohm per C°)	
		<b>Reference Resistance</b>	1,000 ohm at 32°F (0°C)	
		<b>Accuracy</b>	±0.35F° at 70°F (±0.19C° at 21°C)	
<b>Humidity Sensor Type</b>		Capacitive Polymer Sensor		
<b>Humidity Element Accuracy</b>	<b>HE-68x2 Models</b>	±2% RH for 20 to 80% RH at 50 to 95°F (10 to 35°C); ±4% RH for 10 to 20% RH and 80 to 90% RH at 50 to 95°F (10 to 35°C)		
	<b>HE-68x3 Models</b>	±3% RH for 20 to 80% RH at 77°F (25°C); ±6% RH for 10 to 20% RH and 80 to 90% at 77°F (25°C)		
<b>Setpoint Range</b>		Warmer/Cooler		
<b>Temperature Sensor Time Constant</b>		10 Minutes at 10 ft per Minute		
<b>Manual Override</b>		Integral Momentary Pushbutton (DIP Switch Selectable)		
<b>LED</b>		Green LED Indicates Three Modes of Operation (VMA12 and VMA14 Series Controllers Only)		
<b>Ambient Operating Conditions</b>		32 to 131°F (0 to 55°C), 10 to 95% RH Noncondensing; 86°F (30°C) Maximum Dew Point		
<b>Ambient Storage Conditions</b>		-40 to 140°F (-40 to 60°C), 5 to 95% RH Noncondensing; 86°F (30°C) Maximum Dew Point		
<b>Materials</b>		White Thermoplastic Protection: IP30 (EN 60529)		

## HE-6800 Series Humidity Transmitters with Temperature Sensor (Part 2 of 2)

<b>Dimensions (H x W x D)</b>	<b>HE-68xx-0 Models</b>	3-3/16 x 3-3/16 x 1-5/16 in. (80 x 80 x 32 mm)
	<b>HE-68xx-1 Models</b>	3-3/16 x 3-3/16 x 1-7/16 in. (80 x 80 x 35 mm)
<b>Shipping Weight</b>	0.44 lb (0.20 kg)	
<b>Compliance</b>  <b>CE</b>	<b>United States</b>	UL Listed, File E107041, CCN PAZX, Under UL 916, Energy Management Equipment
	<b>Canada</b>	UL Listed, File E107041, CCN PAZX7, Under CAN/CSA C22.2 No. 205, Signal Equipment
	<b>Europe</b>	CE Mark – Johnson Controls, Inc., declares that this product is in compliance with the essential requirements and other relevant provisions of the EMC Directive 2004/108/EC. WEEE Directive 2002/96/EC RoHS Directive 2002/95/EC
	<b>Australia and New Zealand</b>	C-Tick Mark, Australia/NZ Emissions Compliant



**Building Efficiency**  
507 E. Michigan Street, Milwaukee, WI 53202

*Metasys® and Johnson Controls® are registered trademarks of Johnson Controls, Inc.  
All other marks herein are the marks of their respective owners. © 2011 Johnson Controls, Inc.*